



CEJN POWER CONNECTION (CPC)

Installation manual



User instructions:
<https://www.cejn.com/guides-support/manuals>



Edition A - 2021-10-31

CEJN AB
 Rattvägen 1
 SE-541 34 Skövde
 Sweden
www.cejn.com

“Boxed version” Stainless steel box

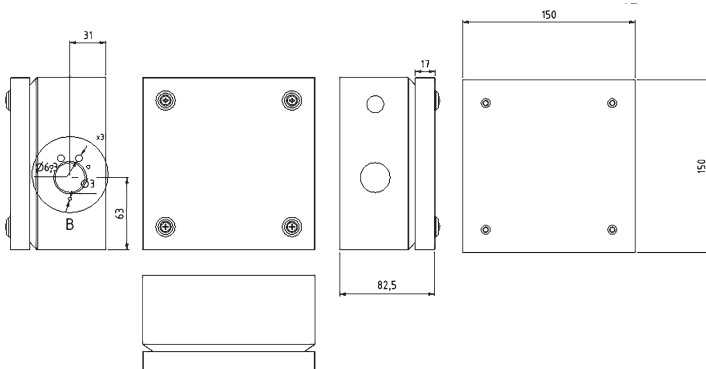
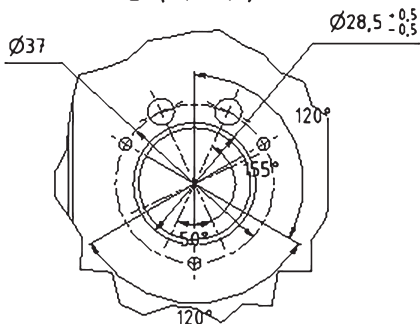
10 933 0162 CPC Vehicle Unit
 Suitable for DEFA mini plug boxed, IP66

10 933 0165 CPC Vehicle Unit
 Suitable for Junicon connector boxed, IP66

The mounting alternatives shown above are possible as the protective cover at the front can be freely rotated to be mounted with an upward movement when opening.

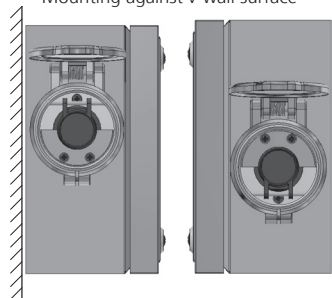


B (1 : 1)

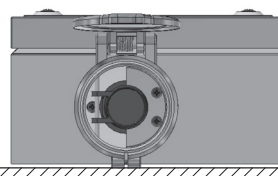
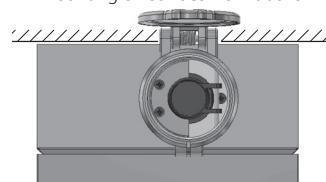


Alternate mounting / positioning with
 CEJN Power Connector in Box

Mounting against v-wall surface



Mounting on surface from above



Mounting on the surface from below

Data: 110-240 Volt Ac. Max 16 Amp.
 Minimum allowable cable area: 1.5 mm²

12-24 volt dc

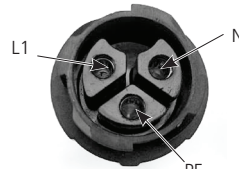


NOTE: Do not connect the cables without the enclosed end caps



Data
110-240 Volt Ac
Max 16 Amp.
Minimum allowable cable diameter: 1,5 mm²

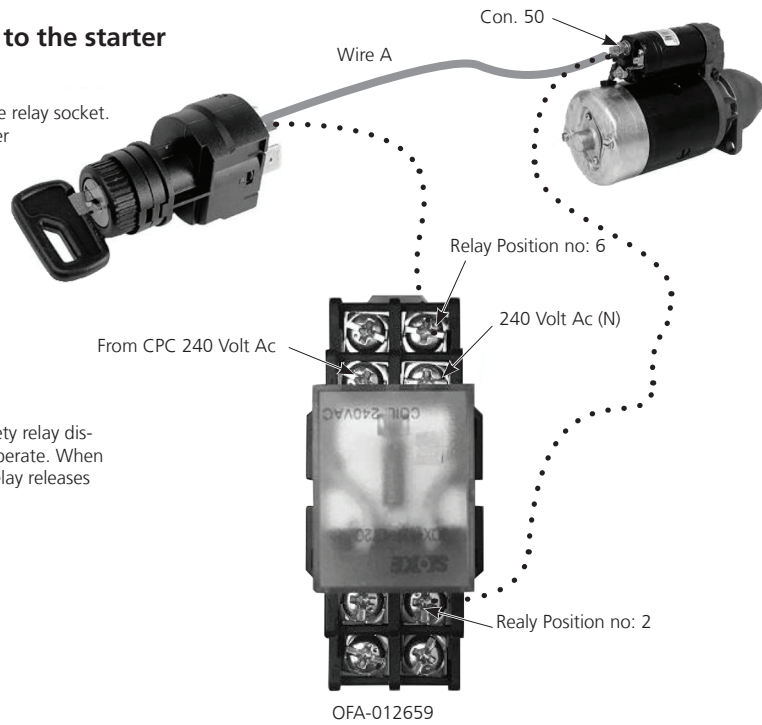
Safe connection of 240 volts Ac.



All electrical connections must be made by a qualified electrician.

How to Connect CPC-safety relay to the starter

1. Remove the original wire (A) from starter
2. Place the removed wire to relay position 6 on the relay socket.
3. Position no: 2 on the relay connects to the starter



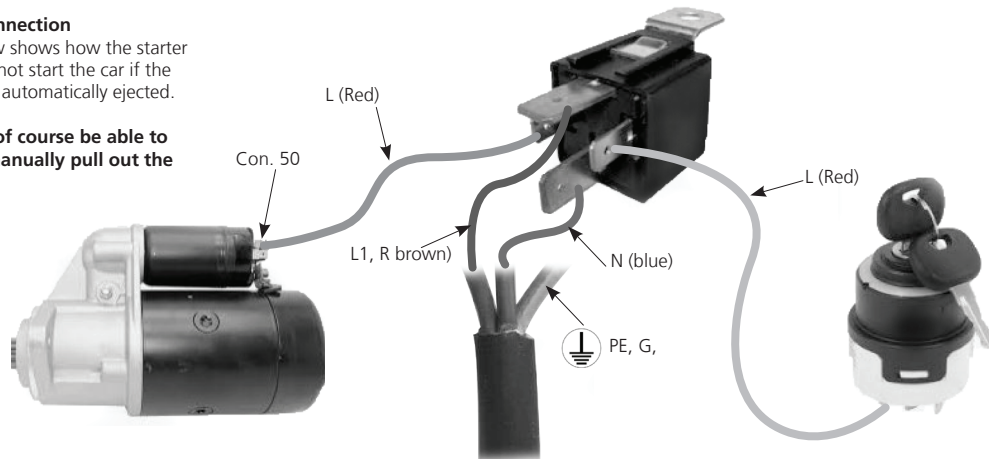
Description

When the CPC is powered by 240 Volt AC, the safety relay disconnects the possibilities for the starter motor to operate. When the CPC unit has released the 240 volt cable, the relay releases the immobilizer and the car can be started.

Secure electrical connection

The connection below shows how the starter motor on the car cannot start the car if the CPC connector is not automatically ejected.

NOTE: The car will of course be able to start again if you manually pull out the CPC connector.



Data: 110-240 Volt Ac. Max 16 Amp.
Minimum allowable cable area: 1.5 mm²